

Unidirectional Flow: A Survey on Networks, Applications, and Characteristic Attributes

Laxmisha Rai*

Abstract

Studies and applications related to unidirectional flow are gaining attention from researchers across disciplines in the recent years. Flow can be viewed as a concept, where the material, fluid, people, air, and electricity are moving from one node to another over a transportation network, water network, or through electricity distribution systems. Unlike other networks such as computer networks, most of the flow networks are visible and have strong material existence and are responsible for the flow of materials with definite shape and volume. The flow of electricity is also unidirectional, and also share similar features as of flow of materials such as liquids and air. Generally, in a flow network, every node in the network participates and contributes to the efficiency of the network. In this survey paper, we would like to evaluate and analyze the depth and application of the acyclic nature of unidirectional flow in several domains such as industry, biology, medicine, and electricity. This survey also provides, how the unidirectional flow and flow networks play an important role in multiple disciplines. The study includes all the major developments in the past years describing the key attributes of unidirectional flow networks, including their applications, scope, and routing methods.

Keywords

Acyclic, Algorithms, Attributes, Flow, Routing, Unidirectional

1. Introduction

The term network is very ubiquitous today, especially since the introduction of computer networks, and the Internet. Generally, the term network synonymously referred to as the interconnection of nodes to transfer messages or information in the form of digital signals or bitstream. However, it is rarely viewed as an interconnection of nodes to transfer physical entities such as people, fluids, air, or electricity. When we think about flow; generally the flow of information, water, fluids, blood, and materials comes to our minds. Moreover, the flow of water, fluid, blood, and materials can be easily visualized and easy to grasp. However, the flow of electricity, data, signal, and the information is hard to visualize and need specialized skills to implement algorithms related to them. The word unidirectional in this paper refers to single directional flow, where an entity is flowing from source to destination or destination to source, but not both ways simultaneously.

The flow of information is not a novel idea today considering the recent developments such as messaging systems, and social networks. There are several algorithms and strategies for implementing

※ This is an Open Access article distributed under the terms of the Creative Commons Attribution Non-Commercial License (<http://creativecommons.org/licenses/by-nc/3.0/>) which permits unrestricted non-commercial use, distribution, and reproduction in any medium, provided the original work is properly cited.

Manuscript received February 1, 2019; first revision May 15, 2019; accepted July 31, 2019.

Corresponding Author: Laxmisha Rai (laxmisha@ieec.org)

* College of Electronic and Information Engineering, Shandong University of Science and Technology, Qingdao, China (laxmisha@ieec.org)

effective communication between two devices or between two interconnected nodes. Contrary to these developments, there are few studies, which highlight the interconnectedness between nodes, where physical entities such as water, fluid, air or current are exchanged. In this scenario, the term flow network is widely used in applications involving both physical as well as non-physical entities with limitation on flow capacity. Similarly, as flow networks can be unidirectional or bidirectional. Unidirectional flow networks gained significant attention in the recent years involving several engineering and scientific applications.

To visualize a flow network mathematically, we represent a sample flow network as $G(V,E)$, which represent a directed graph. In a directed graph, each edge is has direction linked with it, and vertices are connected by edges. In this kind of directed graph, every edge is represented by (u, v) , where $(u, v) \in E$. In flow networks, these edges have non-negative $c(u, v)$, where c represent the flow capacity. As flow is a dynamic mechanism, where some physical entities or electricity move from one node to another, two special vertices are identified. They are source (s) and sink (t). Sometimes, sink node is also called as a destination node. A flow in a network G is represented as a function: $f: V \times V \rightarrow R$. There are three criteria to recognize a network as flow network. Firstly, for all $u, v \in V, f(u, v) \leq c(u, v)$, secondly, for all $u, v \in V, (u, v) = -f(v, u)$, and finally, for all $u \in V - \{s, t\}, \sum f(u, w) = 0$, where $u \in V$, unless $u = s$ or $w = t$. Considering a single node in a flow network other than the source node, the net flow is equal to zero. The source node produces the flow, whereas the sink or destination node deplete the flow [1,2].

The main contribution of this work is to explore the applications, domain, and scope of unidirectional flow considering recent developments in this discipline. This eventually help researchers to develop new algorithms related to unidirectional transmission, flow, traffic, and routing methods. For example, considering the example of a transportation network, there are flow of vehicles as primary flow items, as well as people, food, luggage, information and materials as secondary flow items. However, there are not many algorithms to evaluate the impact, nature, and influence of secondary flow entities along with primary flow items. In such circumstances, one need to study the role of different parameters such as vehicle capacity, maximum flow of vehicles in an unidirectional road, maximum capacity in each vehicles and nature an behavior of physical entities. So, one need to look for implementation of suitable traffic, highway, communication, and routing schemes to develop energy saving, and cost-efficient paths. To develop new mathematical models one need to start with simple edges, and flow of entities in one direction rather than multi-directional. The flow of influential and major entities in this kind of applications can be considered as primary or base flow entities, and other entities which are also flowing along with base entities, but share different roles can be considered as secondary flow entities. Considering the combination of these two primary and secondary flow items in one unidirectional path may pose new challenges in emerging research areas. For example, this will encourage researchers to develop new data structures, and faster network flow algorithms which are applicable to both tangible and intangible items; and help to deal with computational issues, flow constraints and barriers.

In this survey paper, we would like to highlight the past literature work which specifically emphasizes on the characteristics of unidirectional attribute related to flow, flow networks, and routing schemes. We aim to provide the comparative details of networks which carry digital bitstream or signals to networks which carry physical as well as non-physical entities. Section 2 describes the scope and attributes of unidirectional entity in multiple domains. Section 3 presents domains and applications of unidirectional flow. Section 4, presents a general introduction to acyclic unidirectional flow networks and details about

matrix-based algorithms for routing strategies. Section 5 discusses the future challenges and suggests few recommendations. The concluding remarks regarding this survey is presented in Section 6.

2. “Unidirectional” Entity in Multiple Domains

The term unidirectional is discussed in number of studies in the past decades, where it represents a behavior involving single direction, and implied flow of entities (both tangible and intangible) in one direction, and direction of flow is remain unchanged, as opposed to bidirectional. In a bidirectional flow, the entities can move in two opposite directions facing each other. A good example is human aging process, and genealogy maps. In most of the genealogy maps, the knowledge is spread from ancestors to descendants in single direction. In this section, we would like to summarize the scope of our study after surveying over hundred peer-reviewed publications. To carry out this survey work, we have first identified the past research, which have applied the concept of *unidirectional* entity. However, as there are several thousand publications, we narrowed the survey based on the relevance to engineering and industrial applications. We have analyzed the entire research papers to identify the application domain where the features associated with *unidirectional* are consistently used. Then, we have summarized the attributes of unidirectional entity as shown in Fig. 1, and identified the application domains which are closely related to the attributes. Table 1 shows the list of references which summarizes the attributes of unidirectional entity and their application domain. The first column in Table 1 shows the name of attributes which are linked to the term unidirectional. The second column lists the industrial, and engineering fields, where the respective attribute is relevant to the term unidirectional. The third column lists the reference list of publications. As shown in the Table 1, it is evident that the features of unidirectional attribute can be seen in most of the domains. Moreover, Fig. 2 shows the word cloud to represent the application domains which are significantly applied the unidirectional attributes. The results shows that, the application domains such as power grid, electric power systems, smart grids, Network-on-Chip (NoC), wireless sensor networks, and guided vehicles are the major disciplines related unidirectional attributes. Moreover, attributes such as flow, network, power, and link are commonly used along with term unidirectional, as shown in Table 1 as compared to other terms such as distribution, routing, loop, etc.

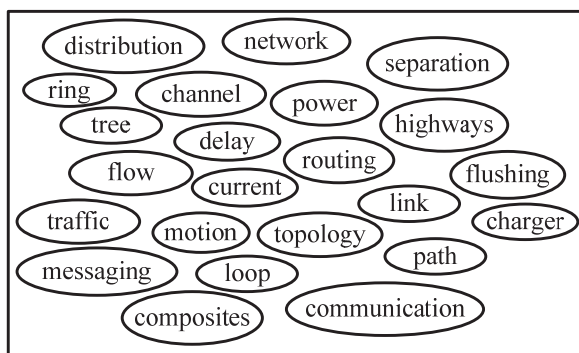


Fig. 1. The identified attributes of unidirectional entity.

Table 1. Unidirectional characteristics in multiple disciplines

Attribute	Application domain	References
Flow	Power grid, energy distribution networks, electric power systems, solar air heaters, smart grids Fractured rock masses, flow dynamic in porous surfaces, vascular networks, molecular dynamics Vehicles and delivery stations, guided vehicles, traffic data applications, pedestrian flow simulations Medical imaging, remote sensing Machine learning, ANN, genetic algorithms, ant colony optimizations Communications, NoC, network simulations, Internet and websites, physical-layer network coding, wireless networks, campus networks	[2], [3], [4], [5], [6], [7], [8], [9], [10], [11], [12], [13], [14], [15], [16], [17], [18], [19], [20], [21], [22], [25], [66], [91]
Network	Electric vehicles, electric grid stations Vehicles and delivery stations, road networks, automated guided vehicles Social networks, ant colony optimization, genetic algorithms Large-scale clusters, cloud computing, cloud data security, optical networks	[10], [14], [17], [23], [27], [28], [29], [31], [32], [33], [34], [66]
Distribution	Power distribution systems	[89]
Routing	High-density metal layer manufacturing	[36]
Charger	Electric vehicles	[30]
Channel	Smart grids Bandwidth utilization	[37], [38]
Power	Photovoltaic cells, solar photovoltaic inverters, solar energy management, electric vehicle chargers, wind turbines allocation, plug-in electric vehicles Electric power distribution system, wind energy conversion systems, Renewable energy resources, renewable energy generators, sinusoidal circuits Distributed energy resources, renewable energy sources, spot networks, smart grids Electrical distribution networks, distributed generators	[27], [28], [30], [39], [40], [41], [42], [43], [44], [45], [46], [47], [48], [49], [50], [51], [52], [53], [54], [55], [56], [57], [58], [59], [60], [61], [62], [63], [64], [65], [66], [67], [68], [89], [93]
Separation	Bayesian networks	[69]
Tree	WSN, Internet, online video conferencing	[24], [70]
Delay	Wireless networks	[15]
Highways	Road networks	[73], [103]
Current	Electric converters, distribution networks Power grids	[59], [71], [72]
Link	Smart grids, Wireless mesh networks, data transmission, WSN, satellite communication Security of cloud data	[37], [75], [76], [26], [33], [77]
Traffic	WSN, Internet Inter-vehicle communication	[13], [78], [79], [80]
Motion	Microscopic flow in active gels	[81]
Topology	Large-scale clusters, 5G transport networks	[32], [82]
Ring	5G transport networks, NoC	[82], [83], [84]
Flushing	Water distribution network	[85]
Messaging	Smart grid applications	[37]
Loop	Material transportation	[86]
Composites	Microvascular networks	[87]
Communication	Plug-in electric vehicles, smart energy management, smart grids WSN	[27], [37], [78], [88]

The attributes listed in Fig. 1 is obtained after surveying the targeted papers, which use the property of unidirectional. In this context, we found that there are total 22 attributes listed. They are power (35), flow

3. Domains and Applications of Unidirectional Flow

As described in Sections 1 and 2, the unidirectional flow can be considered as one major property of flow networks. In this section, we summarize the different engineering and industrial domains, where unidirectional flow is applied. There are several variations of flow networks, such as unidirectional and bidirectional. Fig. 3(a), and (b) shows the general representations of one directional flow between two nodes, *source*, and *sink*. Fig. 3(c), and (d) shows the representations of bidirectional flows. Fig. 3(e) shows an example of conversion of a bidirectional flow into unidirectional by inserting an intermediate node. This is technique is widely used to simplify the flow network and make the flow unambiguous. Fig. 3(f) shows an example of unidirectional flow network with cycles. These kinds of networks are very common in many theoretical studies related to graph theory. Here the cycle is formed with interdependence between nodes. Moreover, one can form more than one cycles in such networks. Fig. 3(g) shows an example acyclic unidirectional flow network, where there are no cycles. These kinds of networks are very common in many real-life examples, such as road networks, water flow networks, and gravity based networks.

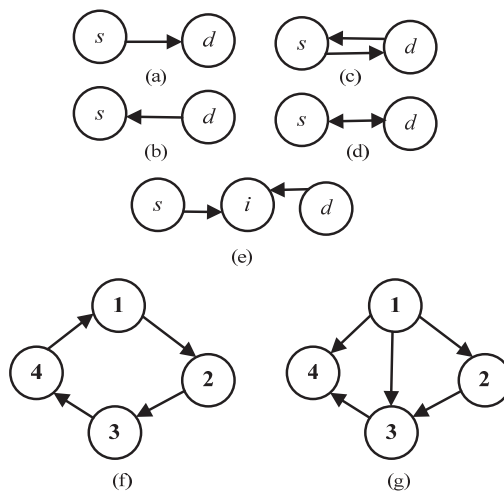


Fig. 3. Several variations of flow networks: (a) unidirectional flow, (b) unidirectional flow, (c) bidirectional flow, (d) bidirectional flow, (e) conversion of bidirectional flow into two unidirectional flows by introducing an intermediate node, (f) cyclic unidirectional flow, and (g) acyclic unidirectional flow.

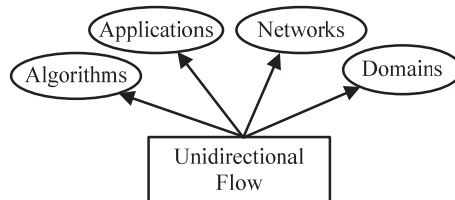


Fig. 4. The scope and attributes of unidirectional flow entity.

Previous studies show the applications related unidirectional flow in multiple disciplines ranging from botany, biology, medicine, engines, pedestrian walking, transportation, social networks, ad-hoc networks,

and wireless sensor networks. After surveying several publications related to unidirectional flow, we found that the general scope and attributes of unidirectional flow are related to algorithms, applications, networks, and domains as shown in Fig. 4. As predicted earlier, most of the works related unidirectional attribute are predominantly related to power and current distribution applications. The overall role of unidirectional flow in multiple contexts can be understood by studying its applications, domains, networks, and algorithms. The general applications can be summarized in four major domains: electrical systems, communication systems, transportation networks, and biological systems. Here, the transportation systems assumed as systems which carry vehicles, people, water, etc.

3.1 Electrical Systems

Most of the unidirectional flow applications are related to electrical engineering applications. Here the flow of current and power are the main flow items. In The concept of unidirectional flow is very common to electric power distribution networks or in distribution networks and it is also argued that power flow in photovoltaic fuel cell is unidirectional [3]. There are several studies which support the claims that the flow of power as well as current as unidirectional, and this feature is widely cited by researchers within electrical engineering and power distribution network specialists. It is widely known since the 1880s that power flows unidirectionally in distribution networks [39,89]. There several related studies on flow of power in unidirectional path. In [40], researchers discussed the power flow mechanism from power plants to customers in urban cities, where the flow of power is unidirectional in distribution networks. The similar details about consumption of electricity by consumers is also provided in [90], where the power is supplied to users over distribution networks in unidirectional mode. The flow of current and power is discussed in electric converters and electric vehicles, respectively in [30,72]. The application of flow of power and current is unidirectional in distribution networks, and this is widely discussed in [43-47,74,89,91,92]. The flow of power in voltage regulators, grid applications, and voltage networks is discussed in [35,59]. The power flow in smart grids, spot networks, and energy resources are mentioned in [41,42]. The role of unidirectional power flow in photovoltaic panels, and photovoltaic mentioned in [48,58]. The unidirectional flow of power in wind turbines, smart grids, solar power grids, and power grids are mentioned in [50,93].

3.2 Communications Systems

Even though it is common understanding that most of the flow networks are physical, the term unidirectional flow is widely used in information and communications discipline. The general properties of a unidirectional flow network is presented in [12], where the term flow is used for sending Internet packets. Here the authors also described the various parameters to define a unidirectional flow including the size of packets, duration of packet flow, total number of packets, etc. The flow item in a communication network is either information, traffic data, security information, information packets, data signals, etc. Most of the applications of unidirectional flow is related to wireless sensor networks, wireless networks, computer networks, routing schemes, Internet, machine learning, cloud computing, social networks, NoC, secure communication, network equipments, and parallel computing. In studies presented in [16,79,94] discuss the flow of traffic data in computer and communication networks.

The works mentioned in [2,15,70,78,95] provides details about the flow of traffic data, signals, and data packets in wireless sensors networks, and wireless networks. Considering the Internet, cloud

computing and machine learning applications, the unidirectional flow of information is discussed in [12,21,80]. The unidirectional flow of security information in cloud systems is discussed in [33]. The role of unidirectional flow of information in social networks is mentioned in [96,97]. There are also few domains where the unidirectional flow is applicable, for example in [7], flow from buffered router to buffer-less router in heterogeneous NoC is discussed. In [13], comparison between, unidirectional, and bidirectional traffic using various performance measures and simulation analysis is experimented involving multi-path routing. In [98] the unidirectional flow is discussed in relation to parallel applications. In [23], the researchers studied the flow of traffic data in vehicle networks. In [82], the studies on information packets and queuing delays considering unidirectional topologies is mentioned. In [99], the importance of unidirectional process while managing risks and uncertainty in financial sector is discussed. In addition, these days the term unidirectional data flow is used while developing applications related to Android, and data flow between view, presenter and model is discussed as unidirectional.

3.3 Transportation Networks

In this subsection, the summary of unidirectional flow related transportation network is provided. Here we have considered water, fluid, air, people vehicles, and materials as entities which use transportation networks. In [85,100], the researchers studied the unidirectional flow and its significance in water distribution networks. The water transportation in unidirectional and bidirectional pipes is mentioned in [100]. In [9], the groundwater flow lines along with hydraulic properties are discussed. This also shows the relevance of unidirectional flow in hydrodynamics and related applications [81]. The study on molecular dynamics and water flow is studied in [11]. The studies on liquid flow in porous maximums are studied in [6]. The flow of fluid in microvascular networks, composites and tubes are discussed in [8,87]. The unidirectional flow of air and heated air is mentioned in [5,101]. Simulation of unidirectional fluids mentioned in [102]. Considering applications related to roads, vehicles, and passengers, several applications can be listed. The studies on people traveling in unidirectional road is mentioned in [18], and flow of materials during transportation is studied in [86]. The studies such as [10,29,73,103,104], all consider the relevance of unidirectional flow in highways, road networks, delivery stations, etc. The communication between multiple vehicles, causes of delay during the unidirectional and bidirectional traffic is studied in [79,94]. In the recent years, the electric vehicles are widely used for transportation, where using batteries, charging stations and electric grids for supplying power to electric vehicles is common practice. Considering this there are several studies discussed the concept of unidirectional flow together with electric vehicles and power related studies [19,27,30,56,57]. These studies mainly focused on charging stations, electric grids, charging methods, and integration of them to electric vehicles. In [14,17], the path design problems, along with genetic algorithms, ant colony optimization methods to solve the problems related to flow paths are discussed.

3.4 Biological Systems

In recent years, researchers have focused their attention to the role of unidirectional flow in biological systems. There are strong evidence to prove that, unidirectional flow exist in plant cells. For example, plasmodesmata exhibiting unidirectional flow is described in [105]. The plasmodesmata are the miniature channels within the plant cells. In [106], the unidirectional flow of oxygen in lungs of birds are studied. Here researchers proved that, while the birds are flying, they need the supply of oxygen in unidirectional

path. The similar behavior of airflow is also studied in American alligators [107]. The alligators also need the airflow to lungs in unidirectional path. In [108], the role of unidirectional airflow in surgical applications is studied.

4. Acyclic Unidirectional Flow Networks and Algorithms

In this paper, the aspect of unidirectional flow is emphasized. In Fig. 5(a), the start node or source node is at the top, and the sink node is at the down, to reflect the gravity based flows in a network, and to depict the downward flow of entities such as water, fluid or liquid. Previous research also shown that, in wireless networks, a source node can send information to sink node, but the reverse may not be true [109]. So, there is no ambiguity regarding the unidirectional nature of flow in several applications, and visibility of flow in all network edges without any interruption or obstacle to flow. Fig. 5(a) shows an example of unidirectional flow network (UFN) without any loops. In this example there are four vertices, A, B, C, and D, and all the edges in this UFN are directed and are unidirectional. Moreover, as there are no cycles in this network, which makes this network acyclic. The applications of acyclic flow networks were discussed by several researchers. Earlier there are also studies to show how these kinds of networks can be used to solve the critical path methods (CPM), program/project evaluation and review technique (PERT) problems, and other applications on managing time, project cost, and deadlines [110,111].

In the past, several simple matrix based algorithms were proposed by the author and his colleagues of this paper [112-114] to find the routing paths in an acyclic unidirectional flow network with several assumptions and preconditions. One precondition is that, the generated network is not generating any cycles, and all the nodes participate in the flow. These algorithms use recursive, induction, and iterative based strategies, and demonstrated their implementations using programs. The algorithms are developed in such a way that, all the paths can be generated using the patterns generated in a two-dimensional (2D) matrix (Fig. 5(d)), which are represented as a 2D array in a program. Here the visualized patterns of 2D array is part of the solution to the problem, making these algorithms as “out-of-box” solutions. If there is a path between A to B, then the current flow and capacity are placed in that matrix location, otherwise it is designated as zero, which represents no flow as shown in Fig. 5(c).

The algorithms proposed assume that the different nodes of UFN are located physically in different geographic locations. So, each node in the network has some role to play especially in cases where the flow of fluid, water, liquid, material or people are involved. However, all these flows assume to maintain unidirectional flow behavior in all situations. The algorithms presented in [112-114] has several limitations. Firstly, they are costly and time-consuming in terms of the complexity involved. For example, if there are 15 nodes in a flow network, the initial matrix size grows exponentially. This can be proved by a simple induction example. As shown in Fig. 5(d), the matrix shows four paths starting from destination. If there are only three nodes, then, there will be only two paths. In general, the numbers of paths from source to destination covering all intermediate nodes in an acyclic network with n nodes (as shown in Fig. 5(a)) is 2^{n-2} . So, assuming that, there are only 15 nodes in a network, the total number of paths would be 8,192. As the size of the matrix grows larger the program generates memory full error or array out of bounds exception. So, testing the algorithm for node size greater than 15 is constrained by programming limitations. With this, we can judge that, as the number of nodes increases, the matrix size grows in the order of n^2 and time to execute the algorithms grows increases exponentially.

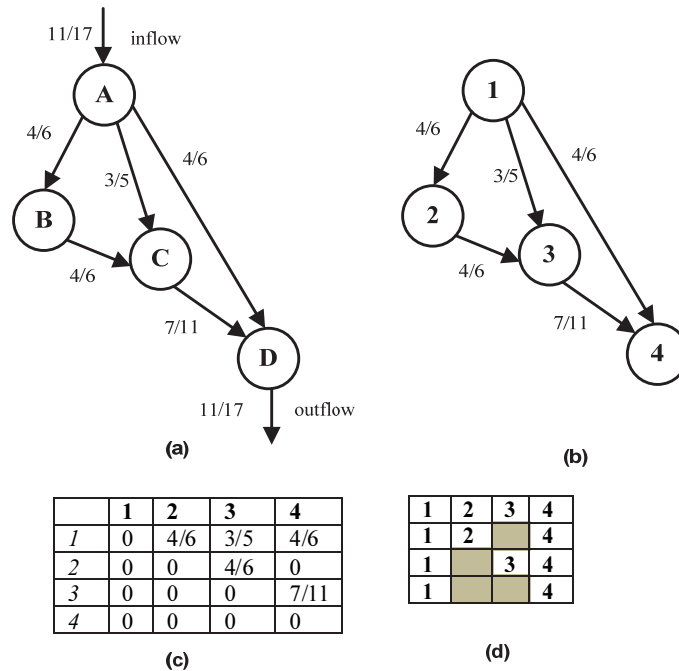


Fig. 5. The aspect of unidirectional flow: (a) A simple example of UFN with inflow, outflow, and flow capacity, (b) The modified UFN, for easy representation in programming, (c) adjacency matrix for representing the flow capacity between unidirectional edges, and (d) the matrix representation of all paths for implementation.

In summary, out of three algorithms proposed, the blanking patterns function [112] is faster than the other two algorithms, and the recursive procedure presented in [114] is efficient during implementation. Even though, the induction algorithm [113] avoids sorting procedure, it is found that, it is not as fast as recursive programs. Moreover, as the node size increases, all programs converge to values with similar time complexity.

5. Discussion, Recommendations and Challenges

The fundamental theory behind a unidirectional flow network is that, each edge has the capacity, direction and the edge is limited by flow. The cumulative flow entering a node is equal to total flow leaving the node. These kinds of unidirectional flow networks helps to model and simulate number of real-life applications where actual physical flow of materials, fluids, water, and gas are involved. Moreover, they also helps to analyze the transmission properties in networks of communication, electrical, transportation, hydraulic, mechanical, and biological systems. In this direction several open research challenges can be considered. For example, considering the transportation in biological systems, there are several studies where the role played by the blood flow mechanism in healing process and bone repair, and their significance in clinical considerations are explored [115,116]. In addition to these, these studies also mentions the evaluation, and importance of maximum, and resting blood flow. As the blood in veins flow unidirectionally [117], there are plenty of scope for analyzing the effects, capacity, contents,

and any bottlenecks exist for maintaining healthy condition. This also helps to evaluate the effects of overall blood distribution, and its impact on regular blood circulation. However, deeper studies related to flow of blood in arteries to veins of living organisms and their influencing unidirectional feature is not yet explored.

The most common challenge related to unidirectional flow network is to evaluate the maximum, minimum flow, and to find the shortest, and longest flow paths. In other words, it is important to evaluate which edges contribute to the minimum flow, and which edges contribute to the maximum flow. In the previous studies conducted by the author and co-researchers [112-114], it is demonstrated that it is possible to implement matrix-based algorithms to evaluate these parameters.

Considering the future works, there are several pointers to further work can be identified. For example, in recent years, there are several studies related to development of mathematical and simulation models for traffic flow on unidirectional roads, highway traffic networks, commodity flow in production networks [118-120]. The digital representation of flow network in hydraulic application is given in [121]. The relationship between biophysical, and transport optimization, biological flow network, and bacterial flow mechanisms are discussed in [122]. The physical flow between parts, raw materials, suppliers, manufacturers, distributors, and flow of people in manufacturing network is presented in [123]. These all areas of research present new directions to expand the applications and scope of UFNs. However, one limitation is of this work presented here is that, the unidirectional flow involving only one source and one sink nodes is considered. However, several applications may have several source and destination nodes, and this pose challenging problems. Moreover visually representing the tangible, and intangible flows using digital maps, and analyzing the information spread, and influence of social and communication networks with physical networks also present new research challenges.

6. Conclusion

We have summarized the importance of problems associated with unidirectional feature into industrial, biological, engineering and management applications. We have surveyed the literature starting from the most recent publications and found that the unidirectional feature is more related to areas such as power distribution networks, smart grids, wireless networks, and water distribution networks. The attributes of unidirectional feature is further investigated, and results demonstrate that, flow, network, power and link features are extensively used in unidirectional systems. Based on these findings, we have further surveyed the features of unidirectional flow, and unidirectional flow networks. In addition, other than entities such as gravity, electricity, fluid, water or data there may be other applications which use this feature.

The main goal of this paper is to introduce the concept of unidirectional flow in multiple disciplines and provide the survey of such works where the concept of unidirectional flow becomes relevant. In summary, it is evident that there is a higher scope for investigating further on features of unidirectional flow, and networks. In addition, as this survey is multidisciplinary, there are opportunities to implement algorithms to solve problems related to flow in several engineering, industrial, biological, and commercial applications. From this extensive survey, we found that, the unidirectional nature is influential in many disciplines, and there is a broad scope to develop efficient and user friendly algorithms in this direction.

Acknowledgement

This work is supported by the College of Electronic and Information Engineering, Shandong University of Science and Technology, Qingdao, China.

References

- [1] "Flow networks," 2016 [Online]. Available: <http://serverbob.3x.ro/IA/DDU0161.html>.
- [2] S. Maeouf, B. Hamdaoui, and M. Guizani, "Unidirectional flow throughput enhancement through physical-layer network coding," in *Proceedings of 2012 Computing, Communications and Applications Conference*, Hong Kong, 2012, pp. 67-70.
- [3] A. Pal and K. Basu, "A unidirectional snubber less fully soft-switched single stage three phase high frequency link DC/AC converter," in *Proceedings of 2017 IEEE 3rd International Future Energy Electronics Conference and ECCE Asia (IFEEC 2017-ECCE Asia)*, Kaohsiung, Taiwan, 2017, pp. 1777-1784.
- [4] A. Al Hasib, N. Nikitin, and L. Natvig, "Load scheduling in smart buildings with bidirectional energy trading," in *Proceedings of 2014 IEEE 33rd International Performance Computing and Communications Conference (IPCCC)*, Austin, TX, 2014, pp. 1-2.
- [5] H. K. Ghritlahre and R. K. Prasad, "Prediction of thermal performance of unidirectional flow porous bed solar air heater with optimal training function using artificial neural network," *Energy Procedia*, vol. 109, pp. 369-376, 2017.
- [6] B. Markicevic, K. Hoff, H. Li, A. R. Zand, and H. K. Navaz, "Capillary force driven primary and secondary unidirectional flow of wetting liquid into porous medium," *International Journal of Multiphase Flow*, vol. 39, pp. 193-204, 2012.
- [7] J. Fang, Z. Y. Leng, S. T. Liu, Z. C. Yao, and X. F. Sui, "Exploring heterogeneous NoC design space in heterogeneous GPU-CPU architectures," *Journal of Computer Science and Technology*, vol. 30, no. 1, pp. 74-83, 2015.
- [8] J. Zueco and V. Rubio, "Network modeling to study the unsteady unidirectional flows of a non-Newtonian fluid problem," *Mathematical and Computer Modelling*, vol. 54, no. 11-12, pp. 2839-2847, 2011.
- [9] Z. Wang, W. Li, L. Qiao, J. Liu, and J. Yang, "Hydraulic properties of fractured rock mass with correlated fracture length and aperture in both radial and unidirectional flow configurations," *Computers and Geotechnics*, vol. 104, pp. 167-184, 2018.
- [10] J. Rubaszewski, A. Yalaoui, L. Amodeo, and S. Fuchs, "Extensions of the unidirectional flow path design problem solved by efficient metaheuristics," *IFAC Proceedings Volumes*, vol. 46, no. 9, pp. 784-789, 2013.
- [11] S. De Luca, B. D. Todd, J. S. Hansen, and P. J. Davis, "Molecular dynamics study of nanoconfined water flow driven by rotating electric fields under realistic experimental conditions," *Langmuir*, vol. 30, no. 11, pp. 3095-3109, 2014.
- [12] A. Vladutu, D. Comaneci, and C. Dobre, "Internet traffic classification based on flows' statistical properties with machine learning," *International Journal of Network Management*, vol. 27, no. 3, article no. e1929, 2017. <https://doi.org/10.1002/nem.1929>
- [13] K. Kuladinithi, C. An, A. Timm-Giel, and C. Gorg, "Performance evaluation of radio disjoint multipath routing," *European Transactions on Telecommunications*, vol. 20, no. 7, pp. 668-678, 2009.
- [14] J. Rubaszewski, A. Yalaoui, L. Amodeo, and S. Fuchs, "Efficient genetic algorithm for unidirectional flow path design," *IFAC Proceedings Volumes*, vol. 45, no. 6, pp. 883-888, 2012.
- [15] D. P. Pazaros, M. Sifalakis, and D. Hutchison, "On the long-range dependent behaviour of unidirectional packet delay of wireless traffic," in *Proceedings of IEEE GLOBECOM 2007-IEEE Global Telecommunications Conference*, Washington, DC, 2007, pp. 2655-2660.

- [16] D. Lee and N. Brownlee, "Passive measurement of one-way and two-way flow lifetimes," *ACM SIGCOMM Computer Communication Review*, vol. 37, no. 3, pp. 17-28, 2007.
- [17] J. Rubaszewski, A. Yalaoui, L. Amodeo, and S. Fuchs, "Efficient optimization methods for extended flow path design," in *Proceedings of 2013 IEEE International Conference on Industrial Engineering and Engineering Management*, Bangkok, Thailand, 2013, pp. 527-531.
- [18] S. Liu, S. Lo, J. Ma, and W. Wang, "An agent-based microscopic pedestrian flow simulation model for pedestrian traffic problems," *IEEE Transactions on Intelligent Transportation Systems*, vol. 15, no. 3, pp. 992-1001, 2014.
- [19] B. K. Sovacool, J. Axsen, and W. Kempton, "The future promise of vehicle-to-grid (V2G) integration: a sociotechnical review and research agenda," *Annual Review of Environment and Resources*, vol. 42, pp. 377-406, 2017.
- [20] M. T. Costa-Campi, D. Davi-Arderius, and E. Trujillo-Baute, "The economic impact of electricity losses," *Energy Economics*, vol. 75, pp. 309-322, 2018.
- [21] X. Zeng, C. Kang, J. Shi, Z. Li, and G. Xiong, "Old habits die hard: fingerprinting websites on the cloud," in *Computational Science – ICCS2018*. Cham, Switzerland: Springer, 2018, pp. 499-511.
- [22] Y. Wang, Q. Chen, C. Kang, J. Miao, J. Bai, and M. Miao, "Linear optimization for active distribution systems operation considering demand response mismatch," in *Proceedings of the CIGRE Session 46*, Paris, France, 2016.
- [23] T. Iryo and M. J. Smith, "On the uniqueness of equilibrated dynamic traffic flow patterns in unidirectional networks," *Transportation Research Procedia*, vol. 23, pp. 283-302, 2016.
- [24] L. Z. Li, Y. Q. Zhu, and Z. Yang, "Deploying bidirectional multicast shared trees in MPLS networks," in *Proceedings of 2008 International Conference on Computer and Electrical Engineering*, Phuket, Thailand, 2008, pp. 276-280.
- [25] A. El Ghoul, I. H. Jermyn, and J. Zerubia, "A phase field higher-order active contour model of directed networks," in *Proceedings of 2009 IEEE 12th International Conference on Computer Vision Workshops*, Kyoto, Japan, 2009, pp. 398-404.
- [26] A. H. Thamrin, H. Izumiyama, and H. Kusumoto, "PIM-SM configuration and scalability on satellite unidirectional links," in *Proceedings of 2003 Symposium on Applications and the Internet Workshops*, Orlando, FL, 2003, pp. 27-30.
- [27] M. H. Bahmani, M. Abolfazli, S. Afsharnia, and M. S. Ghazizadeh, "Introducing a new concept to utilize plug-in electric vehicles in frequency regulation service," in *Proceedings of the 2nd International Conference on Control, Instrumentation and Automation*, Shiraz, Iran, 2011, pp. 105-109.
- [28] N. W. A. Lidula and G. R. Kodikara, "Evaluation of protection coordination violations with the integration of distributed generators," in *Proceedings of 2015 IEEE 10th International Conference on Industrial and Information Systems (ICIIS)*, Peradeniya, Sri Lanka, 2015, pp. 250-255.
- [29] Y. Huang, A. C. Santos, and C. Duhamel, "A bi-objective model to address disruptions on unidirectional road networks," *IFAC-PapersOnLine*, vol. 49, no. 12, pp. 1620-1625, 2016.
- [30] M. A. Fasugba and P. T. Krein, "Gaining vehicle-to-grid benefits with unidirectional electric and plug-in hybrid vehicle chargers," in *Proceedings of 2011 IEEE Vehicle Power and Propulsion Conference*, Chicago, IL, 2011, pp. 1-6.
- [31] C. Song, W. Hsu, and M. L. Lee, "Mining brokers in dynamic social networks," in *Proceedings of the 24th ACM International on Conference on Information and Knowledge Management*, Melbourne Australia, 2015, pp. 523-532.
- [32] M. Koibuchi, T. Totoki, H. Matsutani, H. Amano, F. Chaix, I. Fujiwara, and H. Casanova, "A case for unidirectional network topologies in large-scale clusters," in *Proceedings of 2017 IEEE International Conference on Cluster Computing (CLUSTER)*, Honolulu, HI, 2017, pp. 178-187.

- [33] B. J. Bhatkalkar, "A unidirectional data-flow model for cloud data security with user involvement during data transit," in *Proceedings of 2014 International Conference on Communication and Signal Processing*, Melmaruvathur, India, 2014, pp. 458-462.
- [34] Y. Sheng, Y. Zhang, H. Guo, S. K. Bose, and G. Shen, "Benefits of unidirectional design based on decoupled transmitters and receivers in tackling traffic asymmetry for elastic optical networks," *Journal of Optical Communications and Networking*, vol. 10, no. 8, pp. C1-C14, 2018.
- [35] H. Mortazavi, H. Mehrjerdi, M. Saad, S. Lefebvre, D. Asber, and L. Lenoir, "A monitoring technique for reversed power flow detection with high PV penetration level," *IEEE Transactions on Smart Grid*, vol. 6, no. 5, pp. 2221-2232, 2015.
- [36] X. Xu and D. Z. Pan, "Toward unidirectional routing closure in advanced technology nodes," *IPSSJ Transactions on System LSI Design Methodology*, vol. 10, pp. 2-12, 2017.
- [37] C. Aldejohann, T. Wohlfahrt, C. Rehtanz, and J. Myrzik, "Current modulated messages generated by PFC circuits for allocating appliances with management systems in smart grid applications," in *Proceedings of 2016 IEEE Electrical Power and Energy Conference (EPEC)*, Ottawa, Canada, 2016, pp. 1-6.
- [38] Y. C. Lan, S. H. Lo, Y. C. Lin, Y. H. Hu, and S. J. Chen, "BiNoC: a bidirectional NoC architecture with dynamic self-reconfigurable channel," in *Proceedings of 2009 3rd ACM/IEEE International Symposium on Networks-on-Chip*, La Jolla, CA, 2009, pp. 266-275.
- [39] A. Gabash and P. U. Li, "Reverse active-reactive optimal power flow in ADNs: technical and economical aspects," in *Proceedings of 2014 IEEE International Energy Conference (ENERGYCON)*, Cavtat, Croatia, 2014, pp. 1115-1120.
- [40] P. Mohammadi and S. Mehraeen, "Challenges of PV integration in low-voltage secondary networks," *IEEE Transactions on Power Delivery*, vol. 32, no. 1, pp. 525-535, 2017.
- [41] Z. H. Zhang, B. Y. Xu, and P. Crossley, "An active power flow control method for spot network," in *Proceedings of 2017 Chinese Automation Congress (CAC)*, Jinan, China, 2017, pp. 32-39.
- [42] C. H. Lo and N. Ansari, "Decentralized controls and communications for autonomous distribution networks in smart grid," *IEEE Transactions on Smart Grid*, vol. 4, no. 1, pp. 66-77, 2013.
- [43] A. Kulmala, K. Maki, S. Repo, and P. Jarventausta, "Including active voltage level management in planning of distribution networks with distributed generation," in *Proceedings of 2009 IEEE Bucharest PowerTech*, 2019, pp. 1-6.
- [44] J. Zhao, C. Wang, B. Zhao, F. Lin, Q. Zhou, and Y. Wang, "A review of active management for distribution networks: current status and future development trends," *Electric Power Components and Systems*, vol. 42, no. 3-4, pp. 280-293, 2014.
- [45] S. Zhao, T. Tang, D. Wang, R. Gao, and Z. Wu, "Active distribution network protection scheme based on area current direction," in *Proceedings of 2017 China International Electrical and Energy Conference (CIEEC)*, Beijing, China, 2017, pp. 247-251.
- [46] X. Guo, P. Wang, W. Qin, X. Han, and Y. Wang, "A novel line overcurrent protection scheme for distribution networks with DGs," in *Proceedings of 2016 IEEE International Conference on Power System Technology (POWERCON)*, Wollongong, Australia, 2016, pp. 1-5.
- [47] M. Majidi, A. Ozdemir, and O. Ceylan, "Optimal DG allocation and sizing in radial distribution networks by Cuckoo search algorithm," in *Proceedings of 2017 19th International Conference on Intelligent System Application to Power Systems (ISAP)*, San Antonio, TX, 2017, pp. 1-6.
- [48] S. Bhattacharyya, S. Cobben, and J. Toonen, "Impacts of large-scale integration of PV based generations in a mesh-connected low voltage network," in *Proceedings of the 22nd International Conference and Exhibition on Electricity Distribution (CIRED 2013)*, Stockholm, Sweden, 2013.
- [49] S. Tennina, I. Tunaru, G. Karopoulos, D. Xenakis, E. Liotou, and N. Passas, "Secure energy management in smart energy networks," in *Proceedings of 2017 IEEE 22nd International Workshop on Computer Aided Modeling and Design of Communication Links and Networks (CAMAD)*, Lund, Sweden, 2017, pp. 1-6.

- [50] P. Siano, A. Piccolo, and G. Rigatos, "Wind turbines allocation in smart grids," in *Proceedings of the 39th Annual Conference of the IEEE Industrial Electronics Society (IECON)*, Vienna, Austria, 2013, pp. 7654-7659.
- [51] Z. Zhang, P. Crossley, B. Xu, and M. Yin, "Sequence current component and its power direction-based improved protection for spot network with DERs," *IET Generation, Transmission & Distribution*, vol. 11, no. 7, pp. 1634-1644, 2017.
- [52] A. Kulmala, K. Maki, S. Repo, and P. Jarventausta, "Network interconnection studies of distributed generation," *IFAC Proceedings Volumes*, vol. 42, no. 9, pp. 434-439, 2009.
- [53] N. K. Roy and H. R. Pota, "Current status and issues of concern for the integration of distributed generation into electricity networks," *IEEE Systems Journal*, vol. 9, no. 3, pp. 933-944, 2015.
- [54] X. Y. Zhou, L. Y. Wang, W. Y. Liang, and L. Zhou, "Research on the voltage influence of active distribution network with distributed generation access," *Applied Mechanics and Materials*, vol. 668, pp. 749-752, 2014.
- [55] R. Kumar and B. Singh, "Grid interfaced solar PV powered brushless DC motor driven water pumping system," in *Proceedings of 2016 7th India International Conference on Power Electronics (IICPE)*, Patiala, India, 2016, pp. 1-5.
- [56] V. T. Tran, D. Sutanto, and K. M. Muttaqi, "The state of the art of battery charging infrastructure for electrical vehicles: topologies, power control strategies, and future trend," in *Proceedings of 2017 Australasian Universities Power Engineering Conference (AUPEC)*, Melbourne, Australia, 2017, pp. 1-6.
- [57] D. Aswani and B. Boyce, "Autonomous grid services through electric vehicles," in *Proceedings of 2015 IEEE Power & Energy Society General Meeting*, Denver, CO, 2015, pp. 1-5.
- [58] F. Marra, G. Yang, C. Træholt, J. Ostergaard, and E. Larsen, "A decentralized storage strategy for residential feeders with photovoltaics," *IEEE Transactions on Smart Grid*, vol. 5, no. 2, pp. 974-981, 2013.
- [59] S. Katyara, L. Staszewski, and Z. Leonowicz, "Protection coordination of properly sized and placed distributed generations—methods, applications and future scope," *Energies*, vol. 11, no. 10, article no. 2672, 2018. <https://doi.org/10.3390/en1102672>
- [60] D. Reddy and S. Ramasamy, "Design of RBFN controller based boost type Vienna rectifier for grid-tied wind energy conversion system," *IEEE Access*, vol. 6, pp. 3167-3175, 2018.
- [61] S. M. Amrr, M. S. Alam, M. J. Asghar, and F. Ahmad, "Low cost residential microgrid system based home to grid (H2G) back up power management," *Sustainable Cities and Society*, vol. 36, pp. 204-214, 2018.
- [62] A. Tascikaraoglu, A. R. Boynuegri, and M. Uzunoglu, "A demand side management strategy based on forecasting of residential renewable sources: a smart home system in Turkey," *Energy and Buildings*, vol. 80, pp. 309-320, 2014.
- [63] A. Zidan and E. F. El-Saadany, "Effect of network configuration on maximum loadability and maximum allowable DG penetration in distribution systems," in *Proceedings of 2013 IEEE Electrical Power & Energy Conference*, Halifax, Canada, 2013, pp. 1-6.
- [64] M. Norshahrani, H. Mokhlis, A. Bakar, A. Halim, J. J. Jamian, and S. Sukumar, "Progress on protection strategies to mitigate the impact of renewable distributed generation on distribution systems," *Energies*, vol. 10, no. 11, article no. 1864, 2017. <https://doi.org/10.3390/en10111864>
- [65] H. Mortazavi, H. Mehrjerdi, M. Saad, S. Lefebvre, D. Asber, and L. Lenoir, "Application of distance relay for distribution system monitoring," in *Proceedings of 2015 IEEE Power & Energy Society General Meeting*, Denver, CO, 2015, pp. 1-5.
- [66] R. A. F. Currie, G. W. Ault, and J. R. McDonald, "Methodology for determination of economic connection capacity for renewable generator connections to distribution networks optimised by active power flow management," *IEE Proceedings-Generation, Transmission and Distribution*, vol. 153, no. 4, pp. 456-462, 2006.
- [67] J. Mutale, "Benefits of active management of distribution networks with distributed generation," in *Proceedings of 2006 IEEE PES Power Systems Conference and Exposition*, Atlanta, GA, 2006, pp. 601-606.

- [68] H. Khalsa and W. Mielczarski, "A concept of unidirectional and bi-directional components to define power flow in nonsinusoidal circuits," in *Proceedings of the 8th International Conference on Harmonics and Quality of Power (Cat. No. 98EX227)*, Athens, Greece, 1998, pp. 672-677.
- [69] G. Xin, Y. Yang, and X. Liu, "Analysis of conditional independence relationship and applications based on layer sorting in Bayesian networks," in *Artificial Intelligence and Computational Intelligence*. Heidelberg, Germany: Springer, 2011, pp. 481-488.
- [70] I. Park, J. Yi, and H. Lee, "A receiver-initiated MAC protocol for wireless sensor networks based on tree topology," *International Journal of Distributed Sensor Networks*, vol. 11, no. 10, article no. 950656, 2015. <https://doi.org/10.1155/2015/950656>
- [71] H. Zhou, Y. Sun, Z. Sun, H. Zhao, and S. X. D. Tan, "Electromigration-lifetime constrained power grid optimization considering multi-segment interconnect wires," in *Proceedings of 2018 23rd Asia and South Pacific Design Automation Conference (ASP-DAC)*, Jeju, South Korea, 2018, pp. 399-404.
- [72] W. Yang, Q. Song, S. Xu, H. Rao, and W. Liu, "An MMC topology based on unidirectional current H-bridge submodule with active circulating current injection," *IEEE Transactions on Power Electronics*, vol. 33, no. 5, pp. 3870-3883, 2018.
- [73] L. Y. Li, "A continuum model of traffic flow on road networks," in *Proceedings of 2015 International Conference on Transportation Information and Safety (ICTIS)*, Wuhan, China, 2015, pp. 595-598.
- [74] P. Bresesti and A. Cerretti, "SDNO: smart distribution network operation project," in *Proceedings of 2007 IEEE Power Engineering Society General Meeting*, Tampa, FL, 2007, pp. 1-4.
- [75] M. Kretschmer, C. Niephaus, and G. Ghinea, "QoS-aware flow monitoring and event creation in heterogeneous MPLS-based wireless mesh networks supporting unidirectional links," in *Proceedings of 2009 IEEE 9th Malaysia International Conference on Communications (MICC)*, Kuala Lumpur, Malaysia, 2009, pp. 680-685.
- [76] J. J. Suh, S. G. Quan, J. D. Park, J. H. Park, and Y. Y. Kim, "Asymmetric link dynamic routing algorithm for ubiquitous multimedia services," in *Advances in Multimedia Modeling*. Heidelberg, Germany: Springer, 2007, pp. 536-543.
- [77] A. U. Batmaz, H. U. Yildiz, and B. Tavli, "Role of unidirectionality and reverse path length on wireless sensor network lifetime," *IEEE Sensors Journal*, vol. 14, no. 11, pp. 3971-3982, 2014.
- [78] B. Stelte, "Unidirectional traffic flow to protect wireless sensor networks against byzantine attacks," in *E-Business and Telecommunications*. Springer, Berlin, Heidelberg, 2012, pp. 503-518.
- [79] Z. Wang, W. Lu, and W. Jin, "A study on information throughput of inter-vehicle communications in a unidirectional traffic stream," in *Proceedings of 2009 WRI International Conference on Communications and Mobile Computing*, Kunming, China, 2009, pp. 396-401.
- [80] M. Ilvesmaki, R. Kantola, and M. Luoma, "Traffic differentiability based on packet and flow per application-analysis," in *Proceedings of IEEE Global Telecommunications Conference (IEEE Cat. No. 03CH37489)*, San Francisco, CA, 2003, pp. 3170-3175.
- [81] D. A. Head, G. Gompper, and W. J. Briels, "Microscopic basis for pattern formation and anomalous transport in two-dimensional active gels," *Soft Matter*, vol. 7, no. 7, pp. 3116-3126, 2011.
- [82] G. O. Perez, J. A. Hernandez, and D. L. Lopez, "Delay analysis of fronthaul traffic in 5G transport networks," in *Proceedings of 2017 IEEE 17th International Conference on Ubiquitous Wireless Broadband (ICUWB)*, Salamanca, Spain, 2017, pp. 1-5.
- [83] Y. Take, H. Matsutani, D. Sasaki, M. Koibuchi, T. Kuroda, and H. Amano, "3D NoC with inductive-coupling links for building-block SiPs," *IEEE Transactions on Computers*, vol. 63, no. 3, pp. 748-763, 2014.
- [84] J. Mische, C. Mellwig, A. Stegmeier, M. Frieb, and T. Ungerer, "Minimally buffered deflection routing with in-order delivery in a torus," in *Proceedings of the 11th IEEE/ACM International Symposium on Networks-on-Chip*, Seoul, South Korea, 2017, pp. 1-8.

- [85] J. Rubulis and K. Neilands, "Interpretation of loose deposits motion in drinking water distribution network," in *Proceedings of the 12th Annual Conference on Water Distribution Systems Analysis (WDSA)*, Tucson, AZ, 2010, pp. 643-654.
- [86] F. Ozcelik and A. A. Islier, "Unidirectional loop layout problem with balanced flow," in *Advances in Applied Intelligent Systems*. Heidelberg, Germany: Springer, 2006, pp. 741-749.
- [87] D. M. Phillips, M. R. Pierce, and J. W. Baur, "Mechanical and thermal analysis of microvascular networks in structural composite panels," *Composites Part A: Applied Science and Manufacturing*, vol. 42, no. 11, pp. 1609-1619, 2011.
- [88] V. Nunes, J. Nunes, C. Marques, and R. Goncalves, "How to foster smart energy behavior of end-users via proactive user participation: S3C project (smart consumer, smart customer, smart citizen) key findings," in *Proceedings of CIRED Workshop*, Helsinki, Finland, 2016.
- [89] M. Tahir, M. E. Nassar, R. El-Shatshat, and M. M. A. Salama, "A review of Volt/Var control techniques in passive and active power distribution networks," in *Proceedings of 2016 IEEE Smart Energy Grid Engineering (SEGE)*, Oshawa, Canada, 2016, pp. 57-63.
- [90] J. T. Lotter, R. Naidoo, and R. C. Bansal, "The effects of distributed generation sources within commercial retail reticulation networks," *Energy Procedia*, vol. 142, pp. 1765-1770, 2017.
- [91] M. A. Jarrahi, S. Bazyari, H. Saedpanah, and M. Hajizadeh, "Fault location methodology in DG based distribution networks," in *Proceedings of 2016 21st Conference on Electrical Power Distribution Networks Conference (EPDC)*, Karaj, Iran, 2016, pp. 180-185.
- [92] Y. Li, X. Tian, Y. Chi, C. Liu, H. Ma, R. Li, J. Li, and J. Mao, "Study on the supply capability assessment of distribution network connected large-scale renewable energy," in *Proceedings of 2017 Chinese Automation Congress (CAC)*, Jinan, China, 2017, pp. 6098-6102.
- [93] F. A. Moghaddam, A. Kulmala, and S. Repo, "Managing cascade transformers equipped with on-load tap changers in bidirectional power flow environment," in *Proceedings of 2015 IEEE Eindhoven PowerTech*, Eindhoven, Netherlands, 2015, pp. 1-5.
- [94] S. Pennefather and B. Irwin, "An exploration of geolocation and traffic visualisation using network flows," in *Proceedings of 2014 Information Security for South Africa*, Johannesburg, South Africa, 2014, pp. 1-6.
- [95] W. Lu, Y. Bao, X. Sun, and Z. Wang, "Performance evaluation of inter-vehicle communication in a unidirectional dynamic traffic flow with shockwave," in *Proceedings of 2009 International Conference on Ultra Modern Telecommunications & Workshops*, St. Petersburg, Russia, 2009, pp. 1-6.
- [96] L. B. Romdhane, Y. Chaabani, and H. Zardi, "A robust ant colony optimization-based algorithm for community mining in large scale oriented social graphs," *Expert Systems with Applications*, vol. 40, no. 14, pp. 5709-5718, 2013.
- [97] R. Shinkuma, Y. Takata, N. Yoshinaga, S. Itaya, S. Doi, T. Takahashi, and K. Yamada, "Toward future network systems boosting interactions between people in social networks," in *Proceedings of 2011 Proceedings of 20th International Conference on Computer Communications and Networks (ICCCN)*, Lahaina, HI, 2011, pp. 1-6.
- [98] J. Y. Lai, T. S. Hsu, P. Y. Chen, C. T. Huang, Y. H. Chen, and J. J. Liou, "Design of high-throughput Inter-PE communication with application-level flow control protocol for many-core architectures," in *Proceedings of the First International Workshop on Many-core Embedded Systems*, Tel-Aviv, Israel, 2013, pp. 41-44.
- [99] V. S. Sgurev, L. A. Doukovska, S. T. Drangajov, and V. G. Nikov, "Network flow interpretation of innovation processes and risks," in *Proceedings of 2013 Signal Processing Symposium (SPS)*, Serock, Poland, 2013, pp. 1-4.
- [100] Y. Wang, T. Alamo, V. Puig, and G. Cembrano, "Periodic economic model predictive control with nonlinear-constraint relaxation for water distribution networks," in *Proceedings of 2016 IEEE Conference on Control Applications (CCA)*, Buenos Aires, Argentina, 2016, pp. 1167-1172.

- [101] K. R. Aniraj, V. B. Durbha, C. B. Suresh, M. Suresh, R. Mascomani, M. A. Atmanand, et al., "Probe for measurement of air velocity in oscillating flows," in *Proceedings of IEEE Instrumentation and Measurement Technology Conference Sensing, Processing, Networking*, Ottawa, Canada, 1997, pp. 1373-1376.
- [102] A. T. C. Shiong, M. A. Suriadi, and Z. Qide, "Studies on air flow induced vibration in a simplified hard disk drive using LES," in *Proceedings of the Asia-Pacific Magnetic Recording Conference*, Singapore, 2006, pp. 1-3.
- [103] M. M. Artimy, W. Robertson, and W. J. Phillips, "Connectivity in inter-vehicle ad hoc networks," in *Proceedings of Canadian Conference on Electrical and Computer Engineering (IEEE Cat. No. 04CH37513)*, Niagara Falls, Canada, 2004, pp. 293-298.
- [104] Y. Seo, C. Moon, Y. H. Moon, T. Kim, and S. S. Kim, "Adapting genetic algorithm and tabu search approaches for unidirectional AGV flowpath design problems," in *Proceedings of 2008 IEEE Congress on Evolutionary Computation (IEEE World Congress on Computational Intelligence)*, Hong Kong, 2008, pp. 3621-3625.
- [105] N. M. Christensen, C. Faulkner, and K. Oparka, "Evidence for unidirectional flow through plasmodesmata," *Plant Physiology*, vol. 150, no. 1, pp. 96-104, 2009.
- [106] E. R. Schachner, R. L. Cieri, J. P. Butler, and C. G. Farmer, "Unidirectional pulmonary airflow patterns in the savannah monitor lizard," *Nature*, vol. 506, no. 7488, pp. 367-370, 2014.
- [107] C. G. Farmer and K. Sanders, "Unidirectional airflow in the lungs of alligators," *Science*, vol. 327, no. 5963, pp. 338-340, 2010.
- [108] M. A. Jones, J. C. Johnson, M. L. French, J. B. Hart, and M. A. Ritter, "Unidirectional air flow and surgical face mask exhaust system in the prevention of airborne surgical infection," *The American Journal of Surgery*, vol. 124, no. 1, pp. 49-51, 1972.
- [109] S. Bernard, S. Devismes, M. G. Potop-Butucaru, and S. Tixeuil, "Bounds for self-stabilization in unidirectional networks," 2008 [Online]. Available: <https://hal.inria.fr/file/index/docid/278401/filename/RR-6524.pdf>.
- [110] B. M. Nagy, "Using the critical task method with the critical path method," in *Proceedings of the 30th Annual Project Management Institute Seminars and Symposium*, Philadelphia, PA, 1999, pp. 10-16.
- [111] S. L. Baker, "Critical path method (CPM)," 2016 [Online]. Available: <https://sambaker.com/courses/J716/CPM/CPM.html>.
- [112] G. Yan, W. H. Liu, and L. Rai, "A generalized matrix based algorithm for routing in acyclic unidirectional networks," in *Proceedings of 2010 2nd International Conference on Signal Processing Systems*, Dalian, China, 2010.
- [113] L. Rai, "Induction based replicative patterns algorithm for routing analysis in unidirectional flow networks," in *Proceedings of 2012 International Conference on Systems and Informatics (ICSAI)*, Yantai, China, 2012, pp. 2537-2540.
- [114] G. Yan, L. Rai, and J. F. Xing, "Recursive algorithm for routing analysis in unidirectional flow networks," in *Proceedings of SPIE vol. 8784: the 5th International Conference on Machine Vision (ICMV 2012)*. Bellingham, WA: International Society for Optics and Photonics, 2013.
- [115] P. Praxitelous, G. Edman, and P. W. Ackermann, "Microcirculation after Achilles tendon rupture correlates with functional and patient-reported outcomes," *Scandinavian Journal of Medicine & Science in Sports*, vol. 28, no. 1, pp. 294-302, 2018.
- [116] R. E. Tomlinson and M. J. Silva, "Skeletal blood flow in bone repair and maintenance," *Bone Research*, vol. 1, no. 1, pp. 311-322, 2013.
- [117] P. Kozlovsky, R. J. Bryson-Richardson, A. J. Jaffa, M. Rosenfeld, and D. Elad, "The driving mechanism for unidirectional blood flow in the tubular embryonic heart," *Annals of Biomedical Engineering*, vol. 44, no. 10, pp. 3069-3083, 2016.

- [118] H. Holden and N. H. Risebro, "A mathematical model of traffic flow on a network of unidirectional roads," *SIAM Journal on Mathematical Analysis*, vol. 26, no. 4, pp. 999-1017, 1995.
- [119] M. Herty and A. Klar, "Modeling, simulation, and optimization of traffic flow networks," *SIAM Journal on Scientific Computing*, vol. 25, no. 3, pp. 1066-1087, 2003.
- [120] W. Jacobs, C. Ducruet, and P. De Langen, "Integrating world cities into production networks: the case of port cities," *Global Networks*, vol. 10, no. 1, pp. 92-113, 2010.
- [121] D. G. Tarboton and D. P. Ames, "Advances in the mapping of flow networks from digital elevation data," in *Proceedings of the World Water and Environmental Resources Congress*, Orlando, FL, 2001, pp. 1-10.
- [122] F. G. Woodhouse, A. Forrow, J. B. Fawcett, and J. Dunkel, "Stochastic cycle selection in active flow networks," *Proceedings of the National Academy of Sciences*, vol. 113, no. 29, pp. 8200-8205, 2016.
- [123] S. A. Sherer, "From supply-chain management to value network advocacy: implications for e-supply chains," *Supply Chain Management*, vol. 10, no. 2, pp. 77-83, 2005.



Laxmisha Rai <https://orcid.org/0000-0003-1494-1138>

He received the B.E. degree in computer engineering from Mangalore University, Mangalore, India, in 1998, the M.Tech. degree in computer science and engineering from the Manipal Institute of Technology, Manipal, India, in 2001, and the Ph.D. degree in electronics from Kyungpook National University, Daegu, Korea, in 2008. From 2008 to 2009, he worked as a Post-Doctoral Researcher at Soongsil University, Seoul, Korea. Currently, he is a Professor at the College of Electronic and Information Engineering, Shandong University of Science and Technology, Qingdao, China. Dr. Rai is currently serving as Associate Editor of *IEEE Access Journal*. He is a Senior Member of IEEE, and Senior Member of ACM.